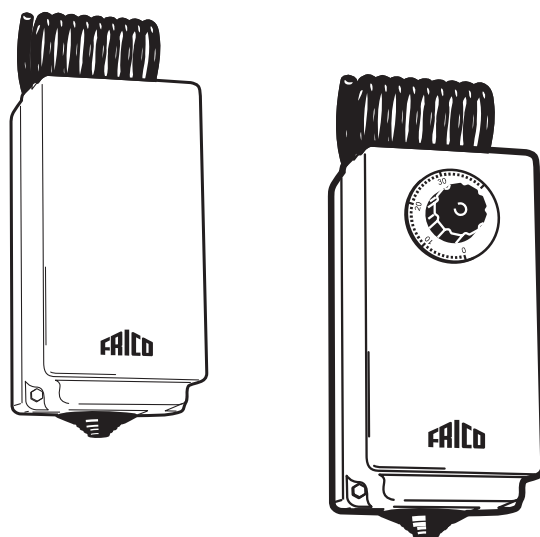


# KRT19, KRTV19, KRT1900



SE	...3	FR	... 7	DK	... 11
NO	... 4	DE	... 8	IT	... 12
FI	... 5	NL	... 9	ES	... 13
GB	... 6	RU	... 10	PT	... 14

# KRT19, KRTV19, KRT1900



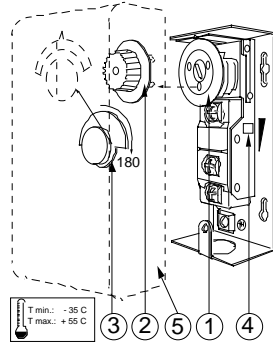
PSC9720  
SHT067N600(003)

Adjustment Instelling Ajuste Justering Szebeleszt	Réglage Ajuste Justering Justering	Einstellung Regolazione Säätö Päätö
---	---	--

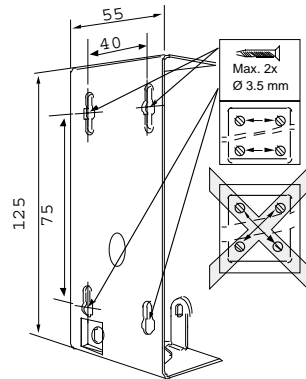
## Instruction sheet

### KRT1900, KRT1901, KRTV19

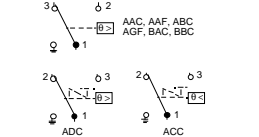
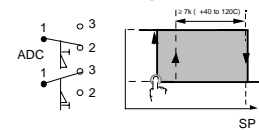
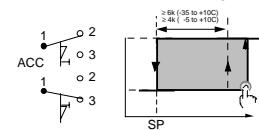
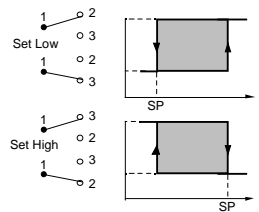
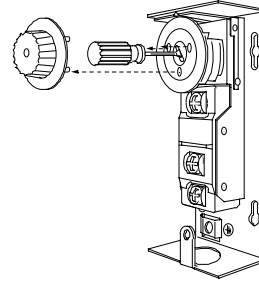
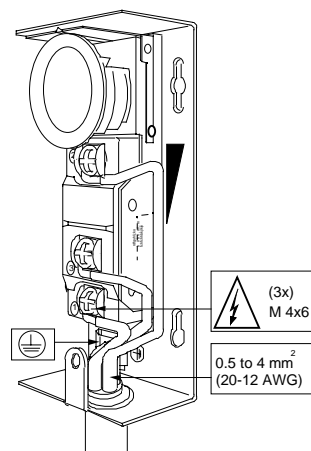
Specification Specificatie Especificación Beskrivelse Tekniská data	Description Especificación Beskrivelse Spesifikasjoner	Spesifikation Specifiche Eritys [013] 000 000
---	---	--



Mounting Montage Montagem Montering Instalace	Montage Montage Montering Montering	Montage Montaggio Käivitys M 11 00 00 1.6
---	--	--



Wiring Bedrading Cablado Cablagem Elektrisk installation Zapojeni	Raccordement Cableado Ledningar Kabling	Verdrahtung Cablaggio Jodutus Käyttöjohto
--	--	--





# KRT19, KRTV19, KRT1900



**READ THIS INSTRUCTION SHEET CAREFULLY BEFORE INSTALLING, RETAIN IT SAFELY FOR FUTURE REFERENCE.**

- 1 Setpoint dial
- 2 Knob for adjustment (separate packed)
- 3 Cap for concealed adjustment (separate packed)
- 4 Differential lever (adjustable differential models only)
- 5 Cover

The KRT is a temperature control designed to sense temperatures.

According to EN 60730 it is a type 1 action, independently mounted control, suitable for surface mounting on a plane surface and for use in normal pollution situation.

These controls are designed for use only as operating controls. Where an operating control failure would result in personal injury or loss of property, it is the responsibility of the installer to add devices or systems that protect against, or warn of, control failure.

## **Installation**

**DO NOT TURN SEALED SCREWS**

 Disconnect from power supply before the cover is removed.

## **Wiring**

All wiring should conform to local codes and must be carried out by authorized personnel only. When using multi stranded wire apply a cable ferrule to the cable end.

## **Check out procedure**

Before leaving the installation observe at least three complete operating cycles to be sure that all components are functioning correctly. If not contact your supplier.

# KRT19, KRTV19, KRT1900

## Tillverkardeklaration/ EU-försäkran om överensstämmelse



Vi

Frico AB  
Box 102  
S-433 22 Partille

Intygar härmed att följande produkt:

### Temperaturreglering

Typ: KRT 1900, KRT 1901,  
KRT 28, KRT 2800  
KRTV 19

Uppfyller kraven enligt följande  
direktiv:

EC Direktiv Electromagnetisk  
kompatibilitet (EMC) 89/336 /EEC, 92/  
31 EEC & 93/68 EEC  
EC Lågspänningsdirektiv (LVD) 73/23/  
EEC & 93/68 EEC

Och tillverkad enligt följande  
standarder:

EMC: EN 50 081-1  
EN 50 082-1

LVD: IEC 730-1 och IEC 730-2-9

Partille , 1 December 1998

Mats Careborg  
Teknisk Chef

## Declaration of Conformity



We

Frico AB  
Box 102  
S-433 22 Partille

under own responsibility hereby  
declare that the following product(s)

### Thermostats

Type: KRT 1900, KRT 1901,  
KRT 28, KRT 2800  
KRTV 19

which is(are) covered by this  
declaration of conformity comply with  
the

EC Electromagnetic Compatibility (EMC)  
Directive 89/336 /EEC & 92/31 EEC

and is(are) manufactured in  
accordance with the following stated  
harmonised standard(s) or other  
normative document(s).

EN 55 014: 1993  
EN 60 555-3: 1991

Partille , 15 December 1995

Mats Careborg  
Technical Manager

Main Office  
Frico AB  
Box 102  
S-433 22 Partille  
SWEDEN

Tel: +46 (0)31 3368600  
Fax: +46(0)31 262825  
e-mail: [mailbox@frico.se](mailto:mailbox@frico.se)  
<http://frico.se>

Norway  
Frico AS  
Postboks 82  
N-0614 Oslo  
NORWAY

Tel: +47 (0)2 272 38 44  
Fax: +47 (0)2 272 38 39  
e-mail: [mailbox@frico.no](mailto:mailbox@frico.no)  
<http://frico.no>

France  
FRICO FRANCE  
14 Rue Plaestro  
93500 Pantin  
SWEDEN

Tel: +33 (0) 4 72 42 99 42  
Fax: +33 (0) 4 72 42 99 49  
e-mail: [info@frico.fr](mailto:info@frico.fr)  
<http://frico.se>

Russia  
FRICO representative office in Russia  
1 st Golutvinsky per. 3  
Moscow 109180  
RUSSIA

Tel/Fax: +7 095 238 63 20  
e-mail: [frico@trankm.ru](mailto:frico@trankm.ru)