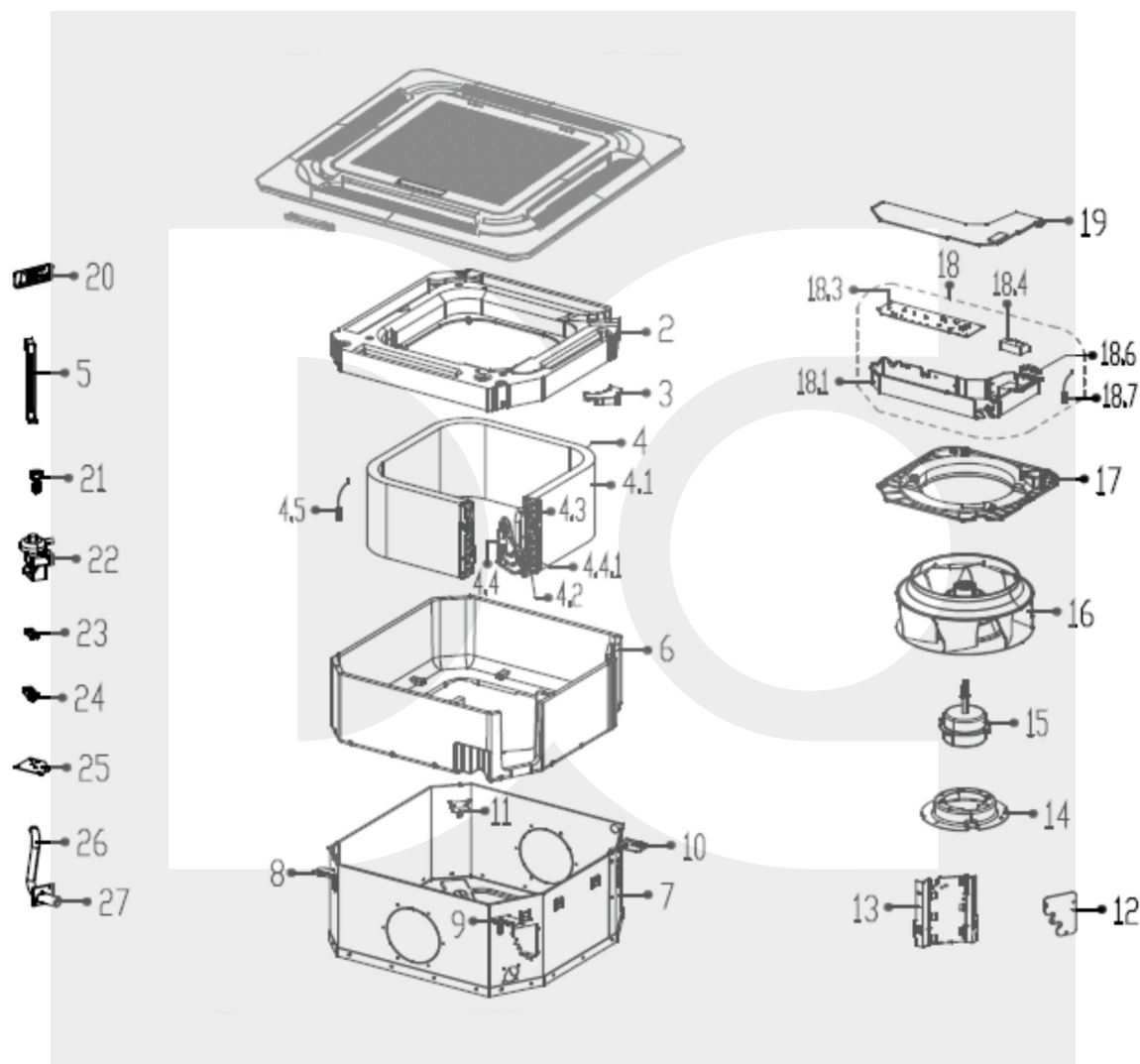


KCI26DMN8

62223-11056905



THERMO COMFORT

Sale Model :

Factory Model :

Product Name :

Power Supply :

MCA3I-09HRFN1-QRC8

EU-KFR26Q/BP3TN1Y-A3(RC8)

62223-11056905

220-240V~ 50Hz 1Phase

KC126DMN8 62223-11056905

Positie	Omschrijving	Code Engels	Leveranciersnummer	Extra info
2	Water collector		12822500000017	
3	Wire box		12122500000022	
4	Evaporator assembly		15822300000069	
4.1	Evaporator		15822500000182	
4.2	Copper nut		15500406000010	TLM-B02
4.3	Output pipe assembly		15122300000765	
4.4	Input pipe assembly		15122500000330	
4.4.1	Copper nut		15500406000016	TLM-A01
4.5	Pipe temperature sensor assembly		11201007000070	CGQ-WD/GW4100-L500-SMP3B-P400
5	Evaporator hang board		12222500000093	
6	Base foam assembly		12822500000005	
7	Chassis assembly		12222500000224	
8	Hook II		12222500000191	
9	Hook I		12222500000192	
10	Hook c		12222500000190	
11	Hook III		12222500000193	
12	Pipe fixing board assembly		12122500000330	
13	Evaporator fixing board		12222500000197	
14	Fan motor fixing base		12222500000199	
15	Asynchronous motor		11002015000069	ZKFP-46-8-1
16	Centrifugal fan		12100103000089	LX-322*147.5*12-7N
17	Ventilation ring		12122500000425	
18	Electronic control box assembly		17222300A01247	
18.1	Electronic control box		12222500000165	
18.3	Main control board assembly		17122500A01228	EU-KFR26Q/BP3TN1Y-A3(RC8).JD.Q.NK.NK2.9
18.4	Wire joint		17400401000097	JXZ-PZ3HG1-A_3(JX-3.16/JGD-ZR3-E-V/YF2004A)
18.6	Clip		12200202000004	
18.7	Ambient temperature sensor assembly		11201007000283	
19	Cover of electronic control box		12222500000209	
21	Water level switch		17400511000015	

22	Drain pump		11001010000063	
23	Drain pump rubber washer		12622500000005	
24	Drain pump rubber washer II		12622500000003	
25	Drain pump installation base		12222500000352	
26	Drain pipe		12622500000012	
27	Drain connecting pipe		12100510000019	

Sale	MCA3I-09HRFN1-QRC8
Factory	EU-KFR26Q/BP3TN1Y-A3(RC8)
Product	62223-11056905

THERMO COMFORT