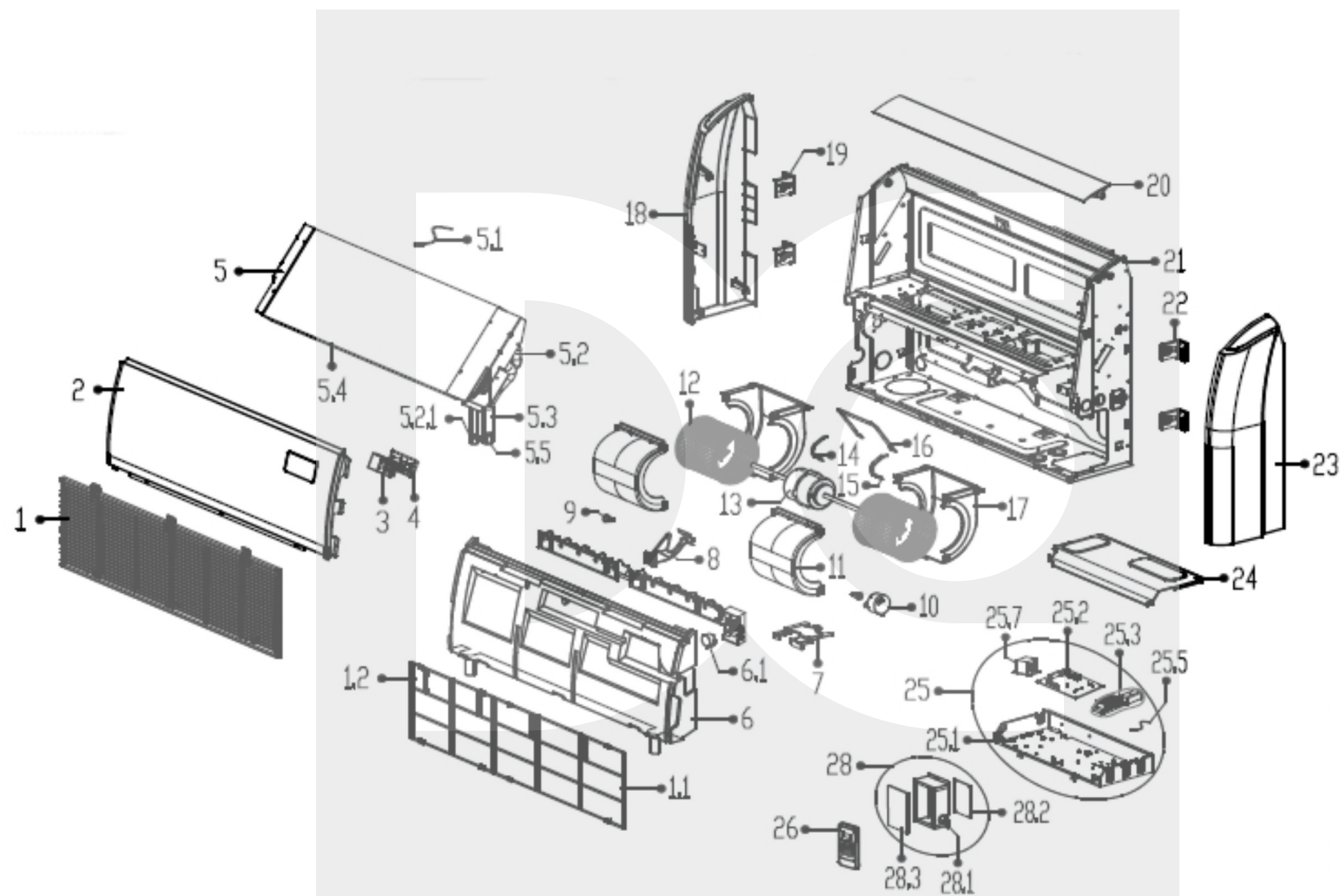


# KPC52DN10

62227-11064501



# THERMO COMFORT

[www.thermocomfort.be](http://www.thermocomfort.be)

**Sale Model :**

**Factory Model :**

**Product Name :**

**Power Supply :**

MUE-18HRFN1-QRD0

EU-KFR53DL/BP3N1Y-E(RD0)

62227-11064501

null,220\_240V\_1Ph,FREQUENCY\_50HZ

KPC52DN10 62227-11064501

| positie | Omschrijving                     | Code Engels | Leveranciersnummer | Extra info                          |
|---------|----------------------------------|-------------|--------------------|-------------------------------------|
| 1       | Air inlet grille assembly I      |             | 12122700000100     |                                     |
| 1.1     | Air filter I                     |             | 12100204000718     |                                     |
| 1.2     | Air filter II                    |             | 12100204000719     |                                     |
| 2       | Top cover assembly               |             | 12222700000096     |                                     |
| 3       | Display board assembly           |             | 17122700A00005     |                                     |
| 4       | Display installation box         |             | 12122700000044     |                                     |
| 5       | Evaporator assembly              |             | 15822700000104     |                                     |
| 5.1     | Pipe temperature sensor assembly |             | 11201007000006     | CGQ-WD/GW4100-L1300-SMP3B-P1000     |
| 5.1     | Pipe temperature sensor assembly |             | 11201007000266     | CGQ-WD/GW4100-L1400-XAP2-P1220-R150 |
| 5.2     | Input pipe assembly              |             | 15122700000324     |                                     |
| 5.2.1   | Copper nut                       |             | 15500406000016     | TLM-A01                             |
| 5.3     | Output pipe assembly             |             | 15122700000201     |                                     |
| 5.4     | Evaporator                       |             | 15822700000203     |                                     |
| 5.5     | Copper nut                       |             | 15500406000012     | TLM-C03                             |
| 6       | Water collector                  |             | 12822700000010     |                                     |
| 6.1     | Louver motor (vertical)          |             | 11002010000034     | SM-35-17-12-9                       |
| 7       | Pipe clamp board                 |             | 12222700000054     |                                     |
| 8       | Supporter of louver              |             | 12122700000150     |                                     |
| 9       | Insulated axis                   |             | 12122000000344     |                                     |
| 10      | Louver motor                     |             | 11002010000057     | SM-35-17-12-22                      |
| 11      | Volute shell (above)             |             | 12122700000049     |                                     |
| 12      | Centrifugal fan                  |             | 12100103000165     | LX-154*162*12-41J                   |
| 13      | Asynchronous motor               |             | 11002015000043     | ZKFN-55-8-1                         |
| 14      | Fan motor axes clamp (right)     |             | 12222500000255     |                                     |
| 15      | Fan motor axes clamp (left)      |             | 12222500000253     |                                     |
| 16      | Fan motor fixing board           |             | 12222300000230     |                                     |
| 17      | Volute shell (below)             |             | 12122700000113     |                                     |
| 18      | Right cover                      |             | 12122700000087     |                                     |
| 19      | Right hook                       |             | 12222700000018     |                                     |
| 20      | Louver                           |             | 12122700000061     |                                     |

|    |                                 |  |                |   |
|----|---------------------------------|--|----------------|---|
| 21 | Chassis assembly                |  | 12222700000229 |   |
| 22 | Left hook                       |  | 12222700000016 |   |
| 23 | Left cover                      |  | 12122700000093 |   |
| 24 | Cover of electronic control box |  | 12222700000058 |   |
| 25 | Electronic control box assembly |  | 17222700A00971 | EU-KFR53DL/BP3N1Y-E(RD0).ZY001.JD.DL.NK.DK1.2 |

|         |                          |
|---------|--------------------------|
| Sale    | MUE-18HRFN1-QRD0         |
| Factory | EU-KFR53DL/BP3N1Y-E(RD0) |
| Product | 62227-11064501           |

THIRMO COMFORT